

Hand shut-off valves

Type SPV2

1000 bar
20 up to 32 l/min

Features

- Leakage free
- Smooth-running
- Both ports for maximum pressure



Design

- Cone seat valve
- Hand shut-off valves with threaded connection

Applications

- For in-line mounting
- For manual opening and closing



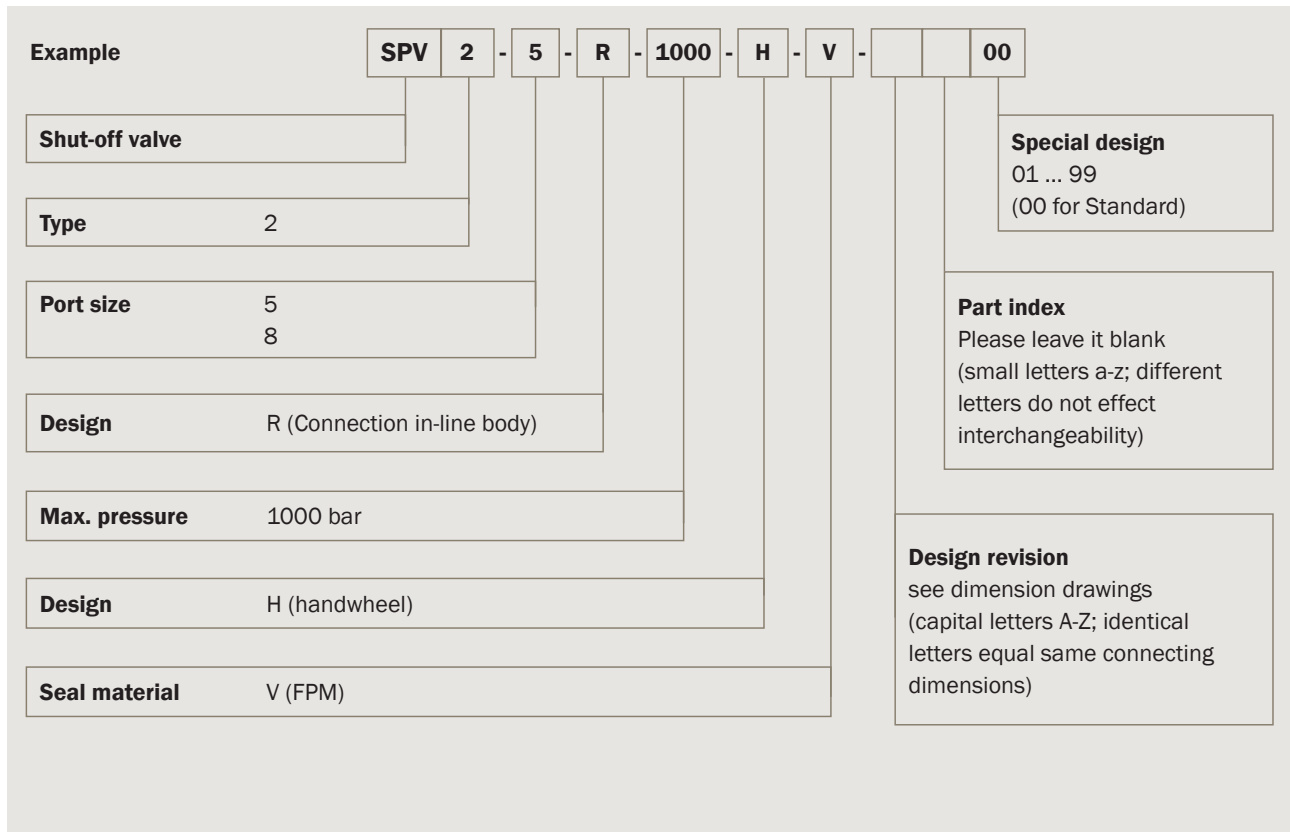
Technical data

Hydraulic fluid	Mineral oil according to DIN 51524 (other fluids on request)		
Fluid temperature range	Size 5: -20 up to 80 °C Size 8: -30 up to 80 °C		
Ambient temperature range	-30 up to 50 °C		
Filtration (recommendation)	According to NAS 1638, class 6 resp. ISO/DIN 4406, class 17/15/12		
Weight	See product information		
Material	Size 5:	Valve body:	galvanized steel, black chromated
		Rotation knob:	Kunststoff
	Size 8:	Valve body:	corrosion-resistant, heat-treated steel
		Cap:	aluminium
		Rotation knob:	plastic

Type SPV2

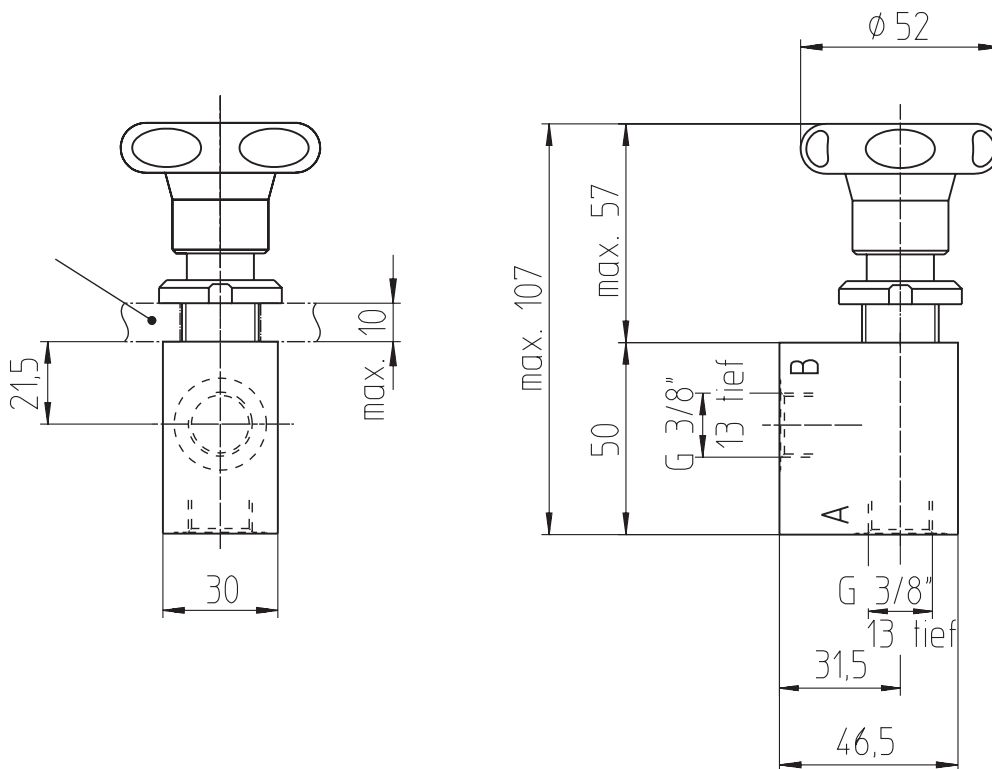
1000 bar
20 up to 32 l/min

Typenschlüssel



Type SPV21000 bar
20 up to 32 l/min**Ordering code**

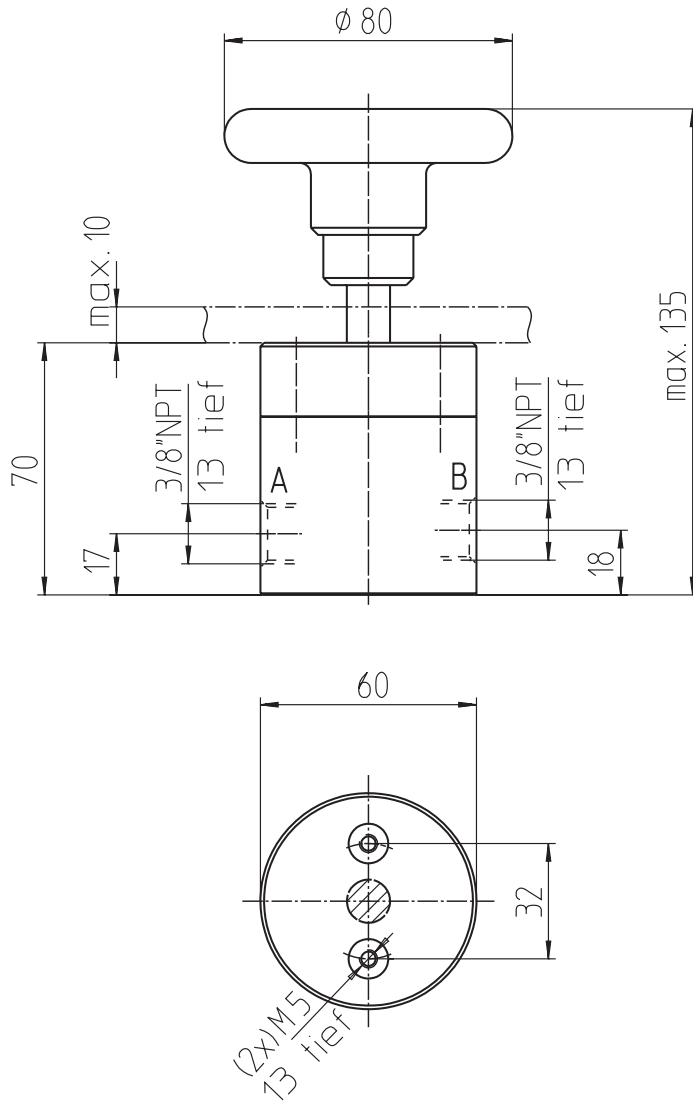
Type	Size	Max. flow rate [l/min]	Operating pressure [bar]	Weight ca. [kg]	Part No.
SPV2-5-R-1000-H-V-A*00	5	20	1000	0,7	3673697
SPV2-8-R-1000-H-V-A*00	8	32	1000	1,3	4054646

Hydraulic schematics**Dimensional drawings****Size 5**

Type SPV2

1000 bar
20 up to 32 l/min

Size 8



Bieri Hydraulik AG
Könizstrasse 274
CH-3097 Liebefeld
Tel. +41 31 970 09 09 | Fax +41 31 970 09 10
info@bierihydraulics.com | www.bierihydraulics.com

The information in this brochure relates to the operating conditions and applications described.
For applications and operating conditions not described, please contact the relevant technical department.
Subject to technical modifications.